

# HAIKU® DROP CEILING MOUNT



## BEFORE YOU START

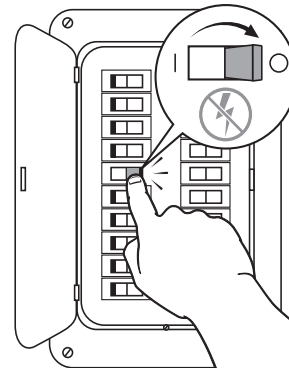
### ☑ Turn Off Power

⚠ Turn off power at breaker!

### ☑ Cut Mounting Hole

Use the provided outlet box as a template to mark and cut a hole in the ceiling tile where the fan will be installed.

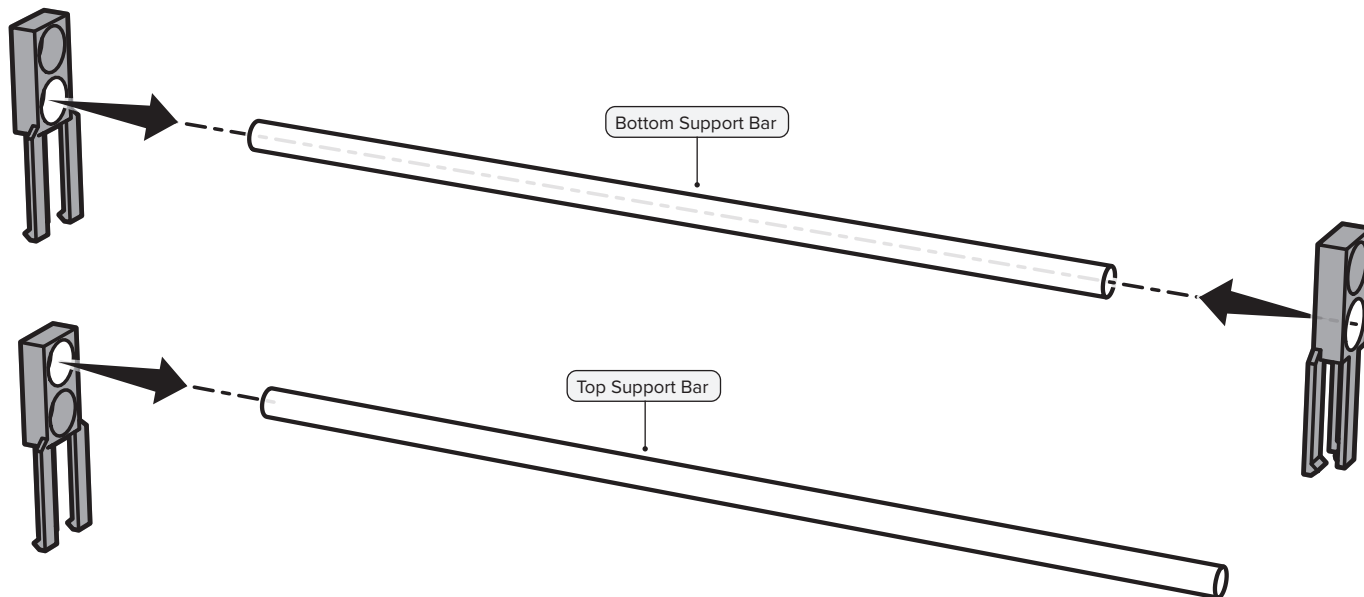
The drop ceiling mount kit supports fans weighing up to 50 lb (23 kg).



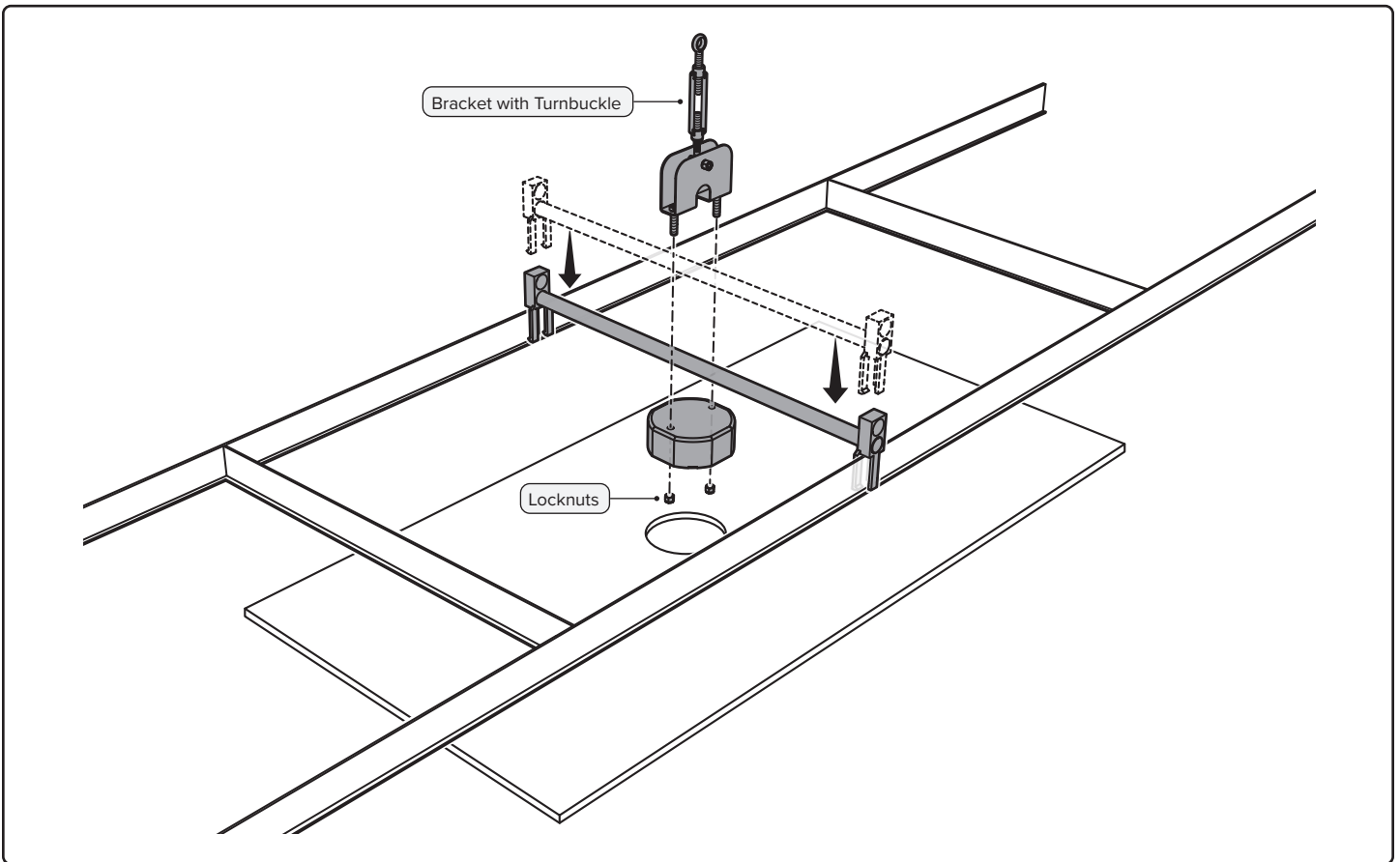
## 1. ASSEMBLE SUPPORT BARS

Secure two plastic clips to shorter bar using the bottom clip holes. This creates the bottom support bar.

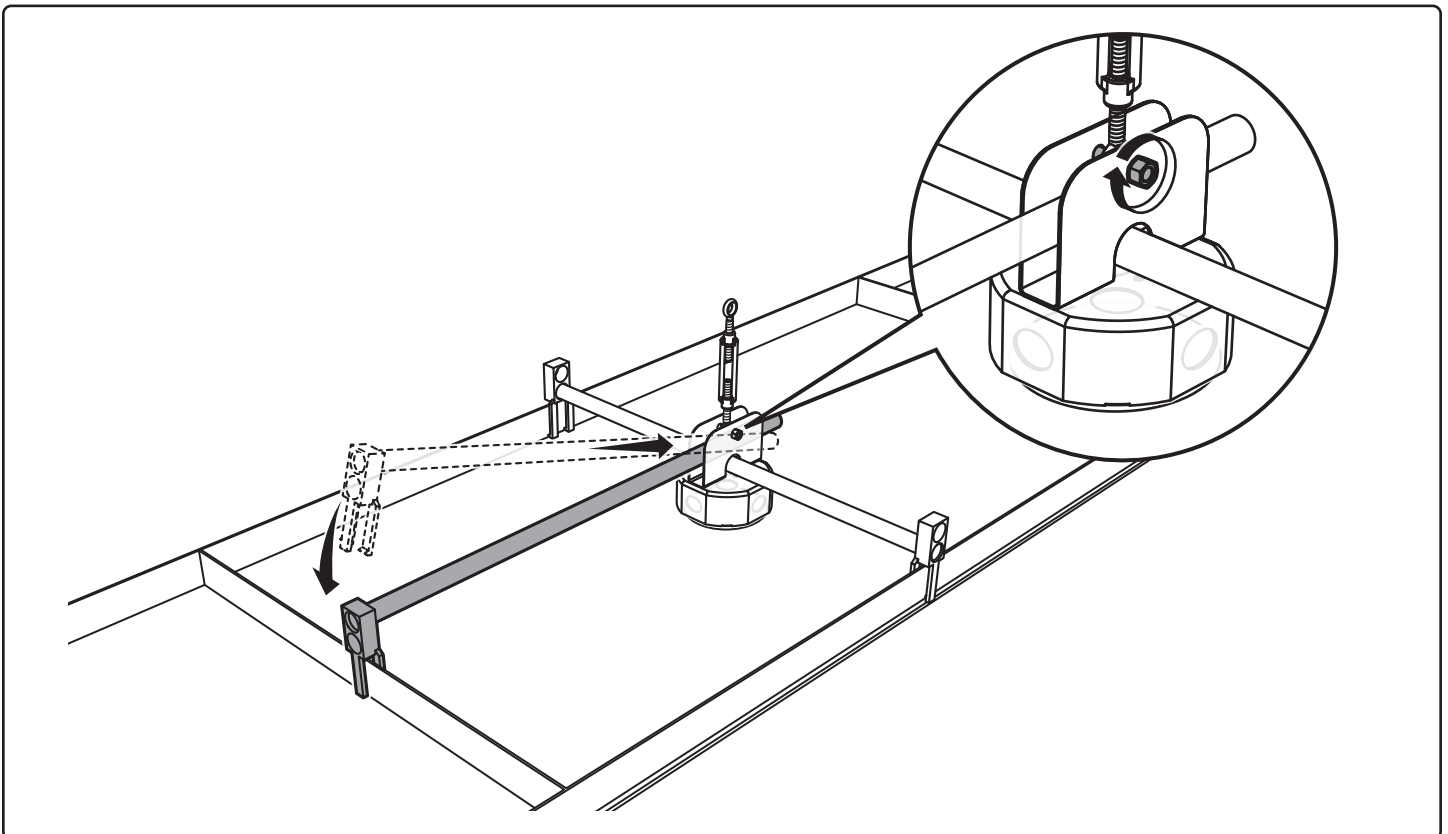
Secure one plastic clip to longer bar using the top clip hole. This creates the top support bar.



## 2. INSTALL BOTTOM SUPPORT BAR AND OUTLET BOX

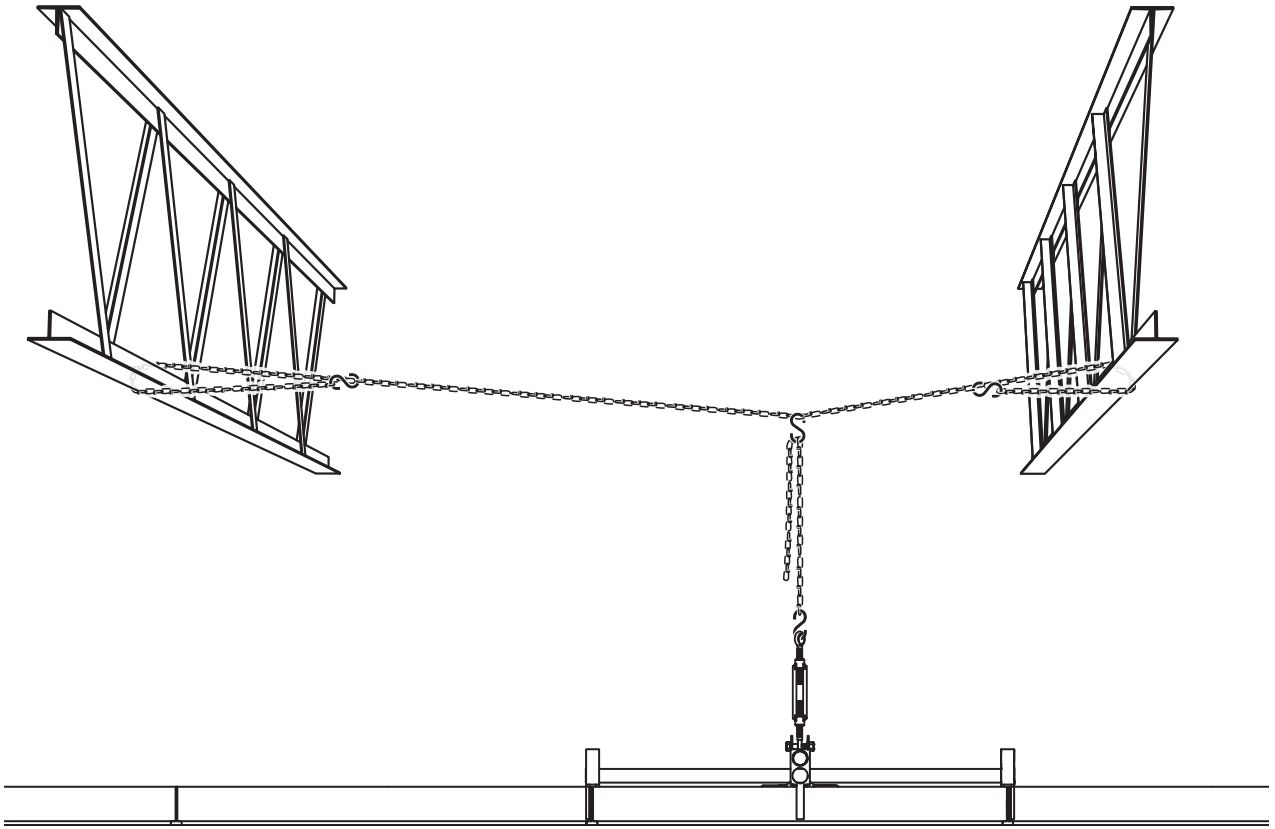


## 3. INSTALL AND TIGHTEN TOP SUPPORT BAR



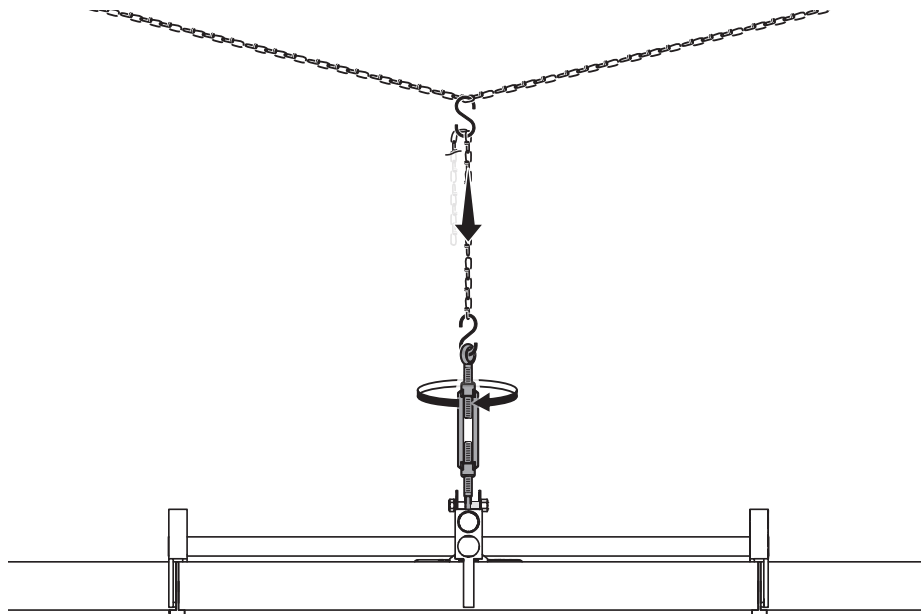
#### 4. INSTALL SAFETY CHAINS

Secure the longer chain to support structure using S-hooks. Center chain directly over outlet box. Secure the shorter chain to the long chain and turnbuckle. Use shorter chain for centering.



#### 5. TIGHTEN SAFETY CHAINS

Use turnbuckle to adjust chains so that all weight is supported by chains instead of the ceiling grid.

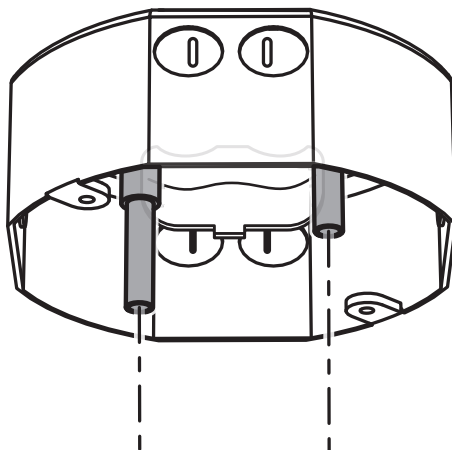


## 6. INSTALL FAN MOUNTING BRACKET

Use the two provided 10-24 x 3/4" mounting bolts to secure the fan mounting bracket to the threaded inserts inside the outlet box. **Do not use the outlet box ears.**

Refer to the fan installation guide for remaining fan and wiring instructions.

*Note: The drop ceiling mount kit includes a non-metallic connector for use with 14-2 and 12-3 AWG sheathed cable.*



[bigassfans.com/support](http://bigassfans.com/support)

