

# TEXAS EDITION HUB COVER





## Powerfoil® X3.0, Powerfoil® D

### READ AND SAVE THESE INSTRUCTIONS



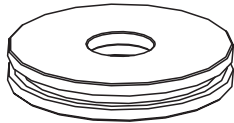
TO REDUCE THE RISK OF FIRE, ELECTRIC SHOCK, OR INJURY TO PERSONS, OBSERVE THE FOLLOWING:

-  **WARNING:** Disconnect power to the installation location before installing the fan and hub cover.
-  **WARNING:** Ensure there are no persons below the fan during installation.

### HARDWARE



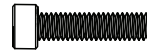
Static Tube  
Retainer Clip



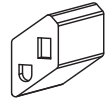
Mounting  
Plate



7/8-14 Nylock  
Nut



(3) 8-32 x 3/4" Socket  
Head Cap Screws



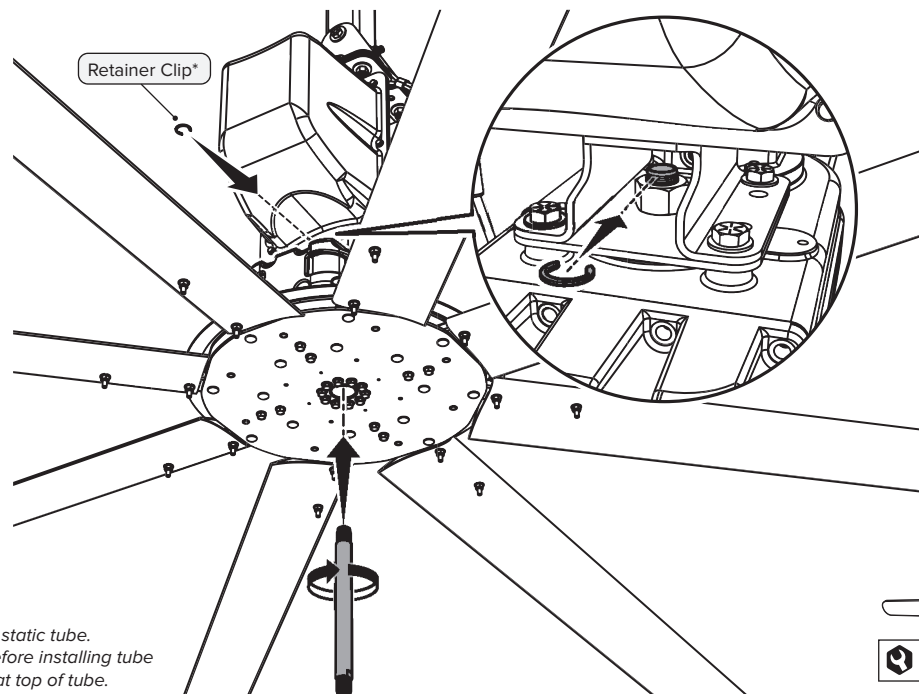
Cable  
Hanger

### 1. INSTALL FAN

Install fan according to fan Quick Installation Guide. Skip the hub cover installation step. For ease of installation, Big Ass Fans recommends installing the Texas Edition hub cover before installing the airfoils.

### 2. INSTALL STATIC TUBE

#### Powerfoil X3.0



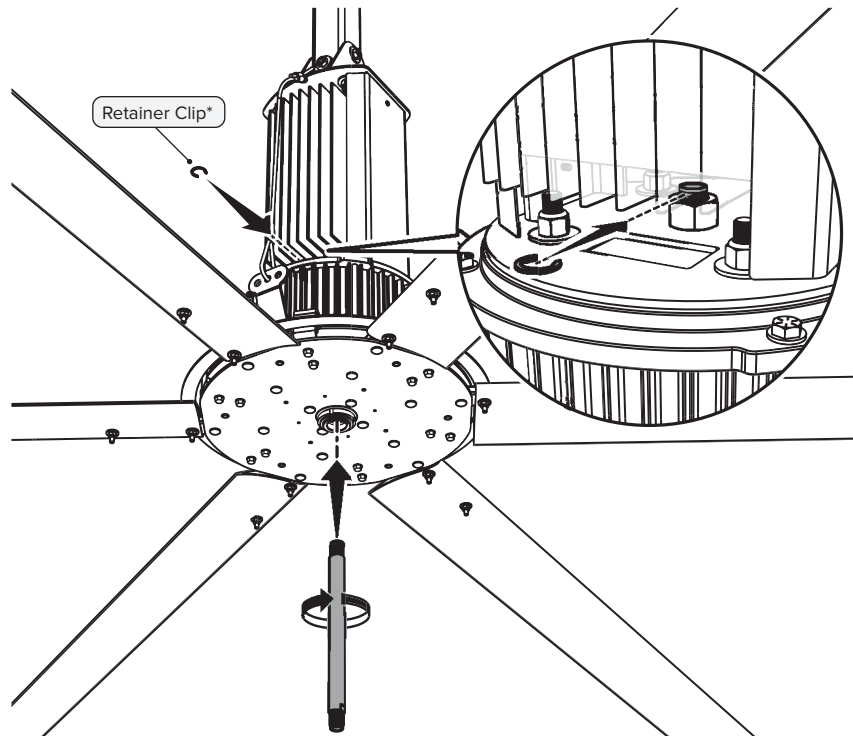
\*Retainer clip is pre-installed to static tube.  
Remove clip from static tube before installing tube  
into fan, and then reinstall clip at top of tube.



35 ft-lb (47.4 N-m)

## 2. INSTALL STATIC TUBE

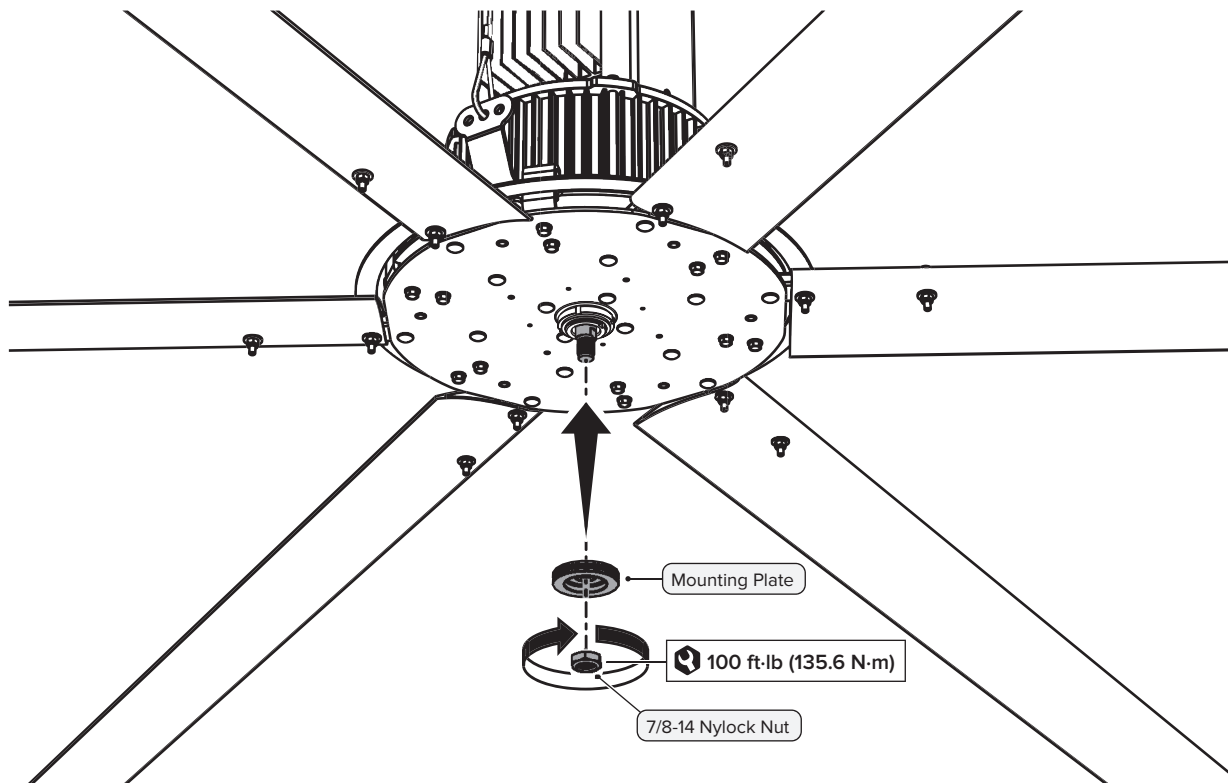
Powerfoil D



\*Retainer clip is pre-installed to static tube. Remove clip from static tube before installing tube into fan, and then reinstall clip at top of tube.

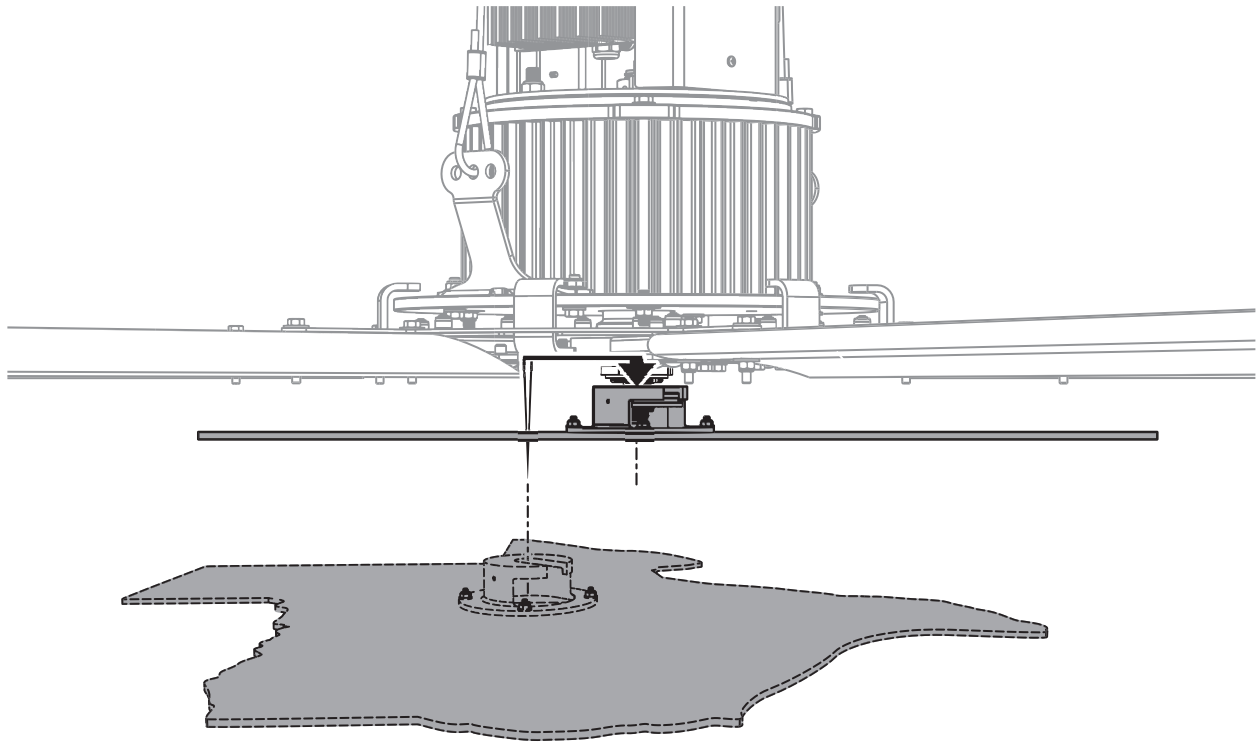
## 3. INSTALL MOUNTING PLATE

Powerfoil D shown. Installation is the same for Powerfoil X3.0.



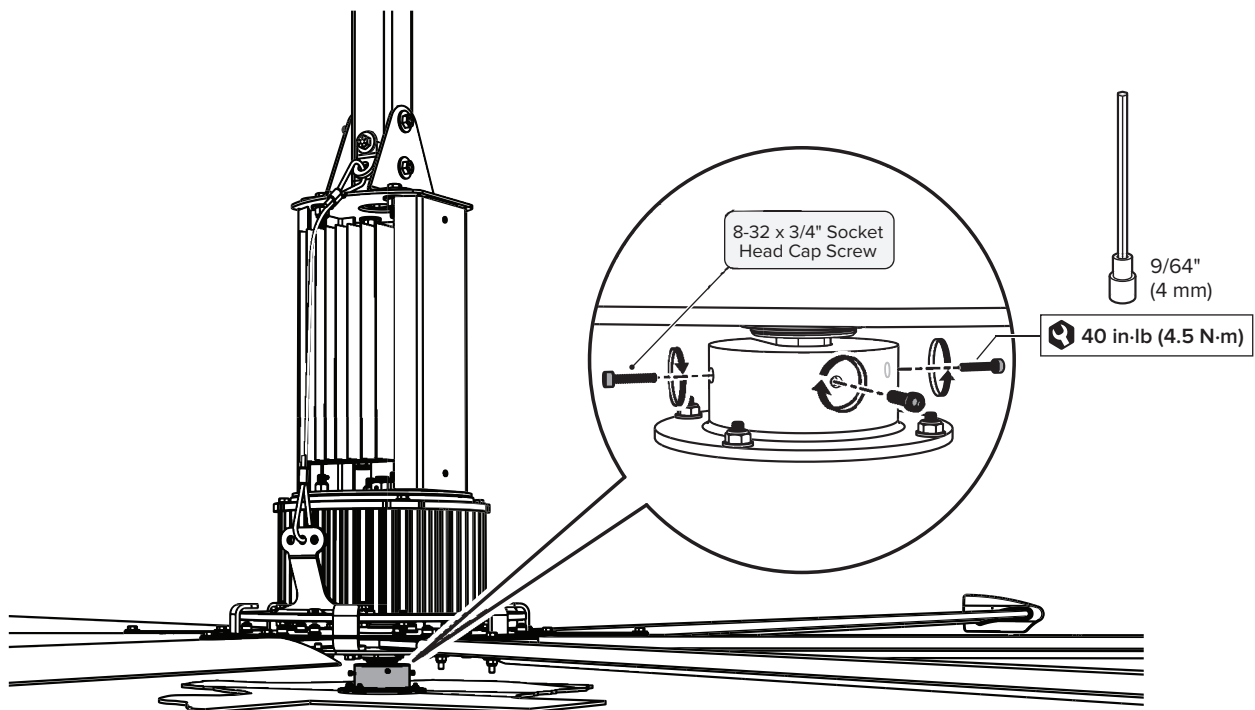
## 4. POSITION HUB COVER

Hub cover can be oriented in any direction. *Powerfoil D shown. Installation is the same for Powerfoil X3.0.*



## 5. SECURE HUB COVER

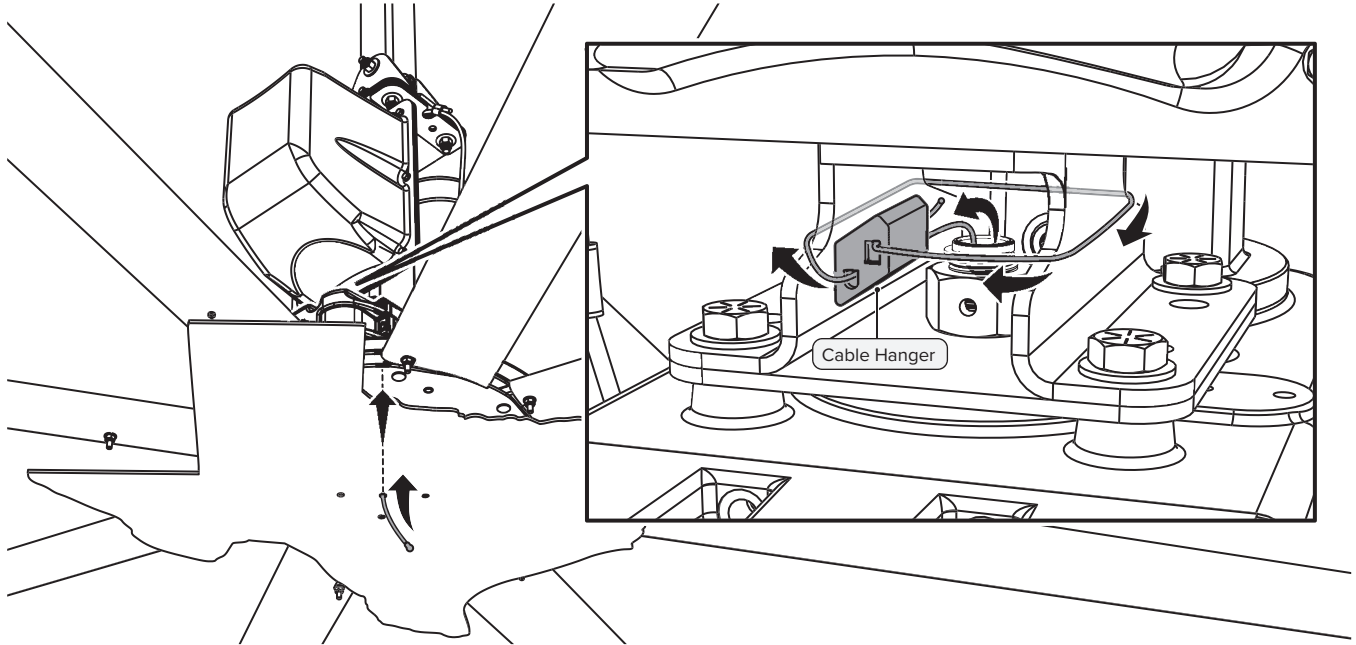
*Powerfoil D shown. Installation is the same for Powerfoil X3.0.*



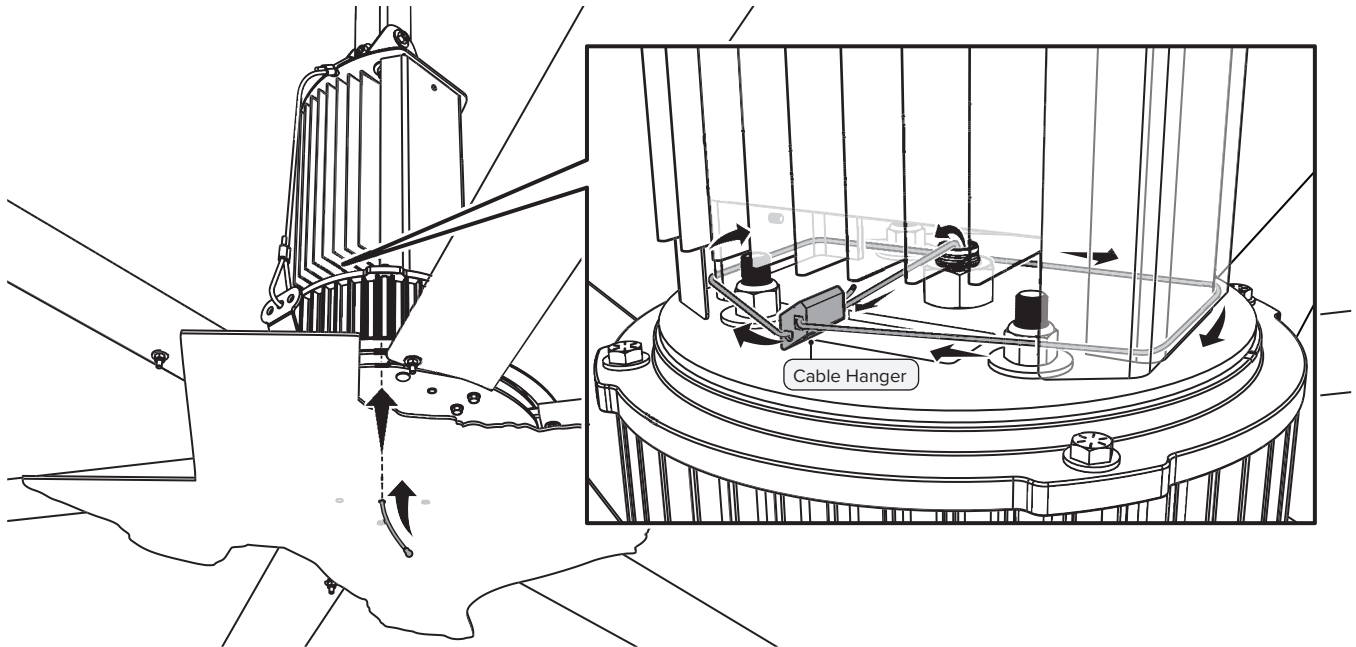
## 6. INSTALL SAFETY CABLE

Insert safety cable into small hole in center of hub cover and pull up through static tube until taut. Wrap cable tightly around motor frame, leaving as little slack as possible. Slide cable hanger onto safety cable until it touches the top of the static tube. Trim or secure excess safety cable so that it does not come into contact with the rotating fan hub.

### Powerfoil X3.0



### Powerfoil D



[bigassfans.com/support](http://bigassfans.com/support)

