

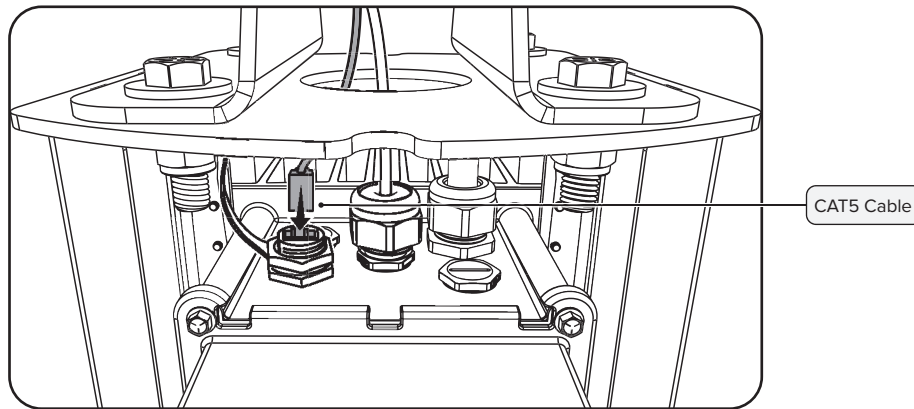
MULTI-FAN MODBUS ADDRESS SETUP

⚠ WARNING: The fan VFD contains high voltage capacitors which take time to discharge after removal of mains supply. Before working on the VFD, ensure isolation of mains supply from line inputs at the VFD or fan controller's disconnect. Wait three minutes for capacitors to discharge to safe voltage levels. Failure to do so may result in personal injury or death. Darkened display LEDs are not an indication of safe voltage levels.

To control multiple Powerfoil D® fans from a single BAFCon controller, you will need to use the controller to assign a unique Modbus address to each fan's VFD.

To change a VFD's Modbus address:

1. Connect the BAFCon controller to the VFD by plugging the controller cable into the CAT5 connector on top of the VFD.



2. Apply power to the fan.
3. On the BAFCon home screen, tap the menu icon, and then tap **Fan Management** > [Fan Name] > **Fan Settings**. The fan's Modbus address is displayed at the bottom of the screen. Tap **Change**.
4. Follow the instructions on the screen to change the Modbus address. Each fan must be assigned a unique address between 1 and 247.
5. Disconnect AC mains power from the fan.

