

# AIREYE<sup>®</sup>

Forget off-the-shelf box fans and rickety pedestal fans. AirEye brings Big Ass Fans' premium engineering to your facility with best-in-class performance, efficiency, and smart controls. An IP65-rated design and mountable, powder-coated steel frame give AirEye the durability to take on tough conditions so your workforce stays comfortable and productive.



## KEY FEATURES

- ▶ **Three blades** precision-balanced for smooth performance
- ▶ **IP65-rated EC motor** for superior protection from dust and water
- ▶ **Variable speed controller** with virtually infinite airflow settings
- ▶ **50% more CFM per watt** than basic induction motors
- ▶ **BMS integration and fan grouping** with optional BAFCon controller
- ▶ **Occupancy sensor** available for added convenience and energy savings

### DIAMETER

20, 24, 30, AND  
36 INCHES  
(51, 61, 76, AND 91 CM)

### MOUNTING

PEDESTAL/LOW RIDER,  
WALL/COLUMN, SWIVEL ARM,  
OVERHEAD BEAMS, AND BAR JOISTS

### VOLTAGE

100-120 OR  
200-240 VAC

### WARRANTY

UP TO  
5 YEARS



**BIG ASS FANS<sup>®</sup>**

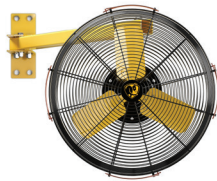
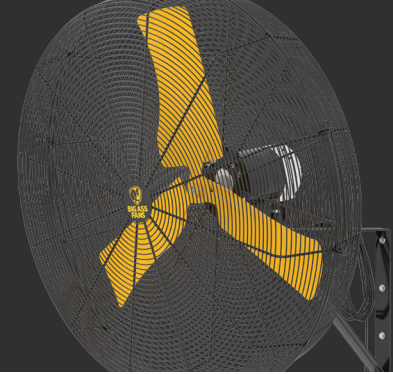
COMFORT WITHOUT  
COMPROMISE

## DISCOVER MORE ABOUT AIREYE

Learn more at [bigassfans.com/aireye](https://bigassfans.com/aireye)  
or call **877.BIG.FANS** for a free custom quote.

# AIREYE

EASY TO MOVE, SIMPLE TO CONTROL, AND A BREEZE TO ENJOY.



## Technical Specifications

Fan Size	Weight <sup>1</sup>	Input Power	Max amps	Max power	Max speed	Sound at max speed <sup>2</sup>
20 in. (508 mm)	32 lb (14.5 kg)	100–120 VAC, 1 Φ, 50/60 Hz 200–240 VAC, 1 Φ, 50/60 Hz	6.0 A 3.85 A	421 W 413 W	1220 RPM 1296 RPM	69 dBA
24 in. (610 mm)	38 lb (17.2 kg)	100–120 VAC, 1 Φ, 50/60 Hz 200–240 VAC, 1 Φ, 50/60 Hz	4.73 A 2.97 A	315 W 314 W	1290 RPM 1317 RPM	
30 in. (762 mm)	45 lb (20.4 kg)	100–120 VAC, 1 Φ, 50/60 Hz 200–240 VAC, 1 Φ, 50/60 Hz	7.7 A 4.48 A	552 W 536 W	1280 RPM 1215 RPM	
36 in. (914 mm)	67 lb (30.4 kg)	100–120 VAC, 1 Φ, 50/60 Hz 200–240 VAC, 1 Φ, 50/60 Hz	9.46 A 5.83 A	702 W 669 W	950 RPM 950 RPM	72 dBA

## Construction Features

Cage and Blades	Motor	Power Supply <sup>3</sup>	Control Options <sup>4</sup>	Environment	Colors	Occupancy Sensor
OSHA-compliant steel wire cage Three precision-balanced blades	Electronically commutated motor	18 ft (5.5 m) cord with plug fits standard power outlet	Infinitely variable speed Automation and multi-fan kit	Suitable for damp environments Rated IPX5	Black cage and motor with high-visibility yellow blades Custom colors available	Available AirEye Occupancy Sensor (AEOS) uses passive infrared detection to run AirEye only when you need it.

## Fan Ordering Information

AirEye	Diameter	Voltage	Finish	Mount	Region	Controller <sup>4</sup>
F-AE1	20: 20 in. (508 mm) 24: 24 in. (610 mm) 30: 30 in. (762 mm) 36: 36 in. (914 mm)	01: 120 V 02: 240 V	Blank: Standard A750C716: Midnight Black	L10: Pedestal Mount/Low Rider L12: Swivel Mount L13: Wall Mount L14: C-Channel/I-Beam Mount	Blank: US, CA, MX R01S34: Europe R03S34: Asia	V56: AirEye Occupancy Sensor V59: Automation and Multi-Fan Kit V56V59: Automation and Multi-Fan Kit with AirEye Occupancy Sensor

## Accessory Ordering Information

Description	Part Number
3 ft (0.9 m) Drop Cord Extension (Control)	007269
6 ft (1.8 m) Drop Cord Extension (Control)	007270
12 ft (3.7 m) Drop Cord Extension (Control)	007271

## Finishes



## Variable Speed Control



## Occupancy Sensor



<sup>1</sup> Weight does not include mounts or accessories.

<sup>2</sup> Fans are sound tested at maximum speed in a laboratory environment. Actual results in field conditions may vary due to sound reflecting surfaces and environmental conditions.

<sup>3</sup> Cable length may vary depending on region.

<sup>4</sup> The AirEye Multi-Fan kit must be used with the BAFcon controller. The kit is not compatible with the AirEye Standard Controller.



Lead times may vary. See full warranty for coverage information.



USA  
BIGASSFANS.COM  
877-244-3267

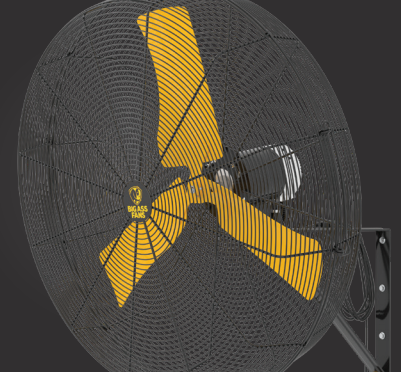
CANADA  
BIGASSFANS.COM  
844-924-4277

AUSTRALIA  
BIGASSFANS.COM/AU  
1300 244 277

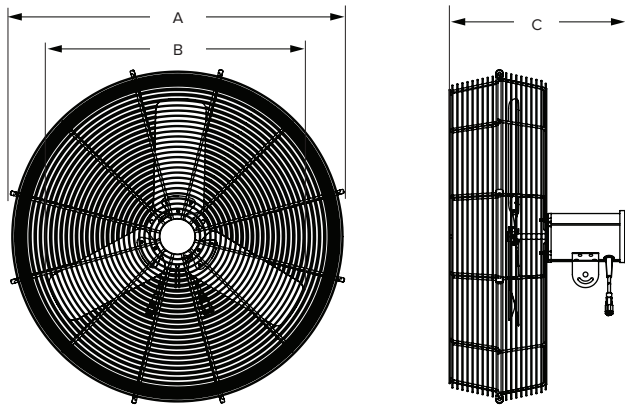
SINGAPORE  
BIGASSFANS.COM/SG  
65 6709 8500

# AIREYE

EASY TO MOVE, SIMPLE TO CONTROL, AND A BREEZE TO ENJOY.

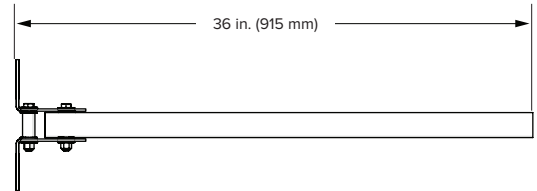


## Blade and Cage Assembly



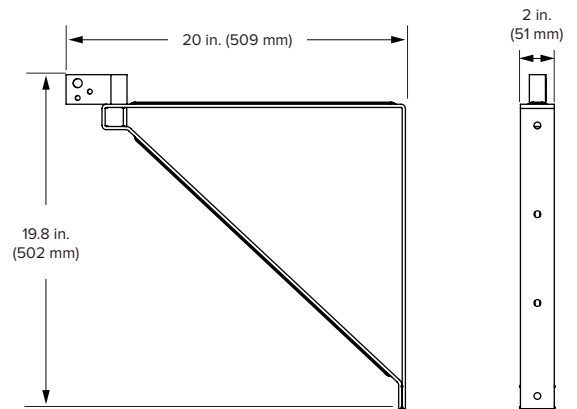
Cage Diameter (A)	Blade Diameter (B)	Depth (C)
25.8 in. (656 mm)	20.5 in. (521 mm)	19.5 in. (495 mm)
32 in. (813 mm)	24.5 in. (622 mm)	19.5 in. (495 mm)
38.2 in. (969 mm)	30.5 in. (775 mm)	19.5 in. (495 mm)
43.2 in. (1097 mm)	36.5 in. (927 mm)	21.5 in. (546 mm)

## Swivel Mount



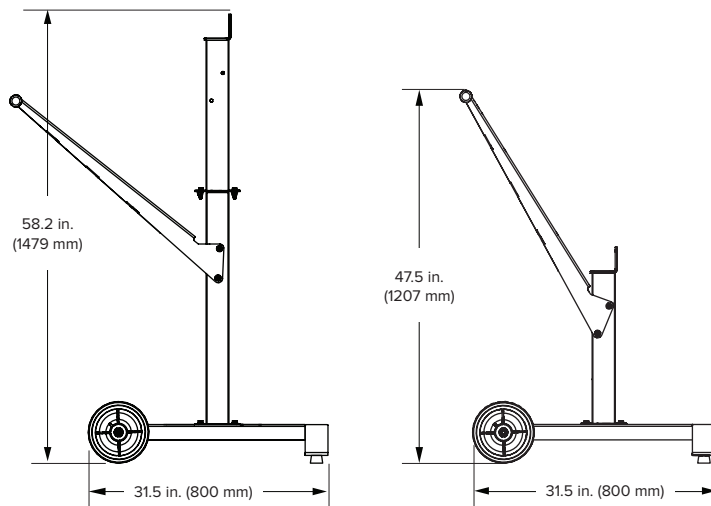
Weight: 16 lb (7.3 kg)

## Wall Mount



Weight: 9.5 lb (4.3 kg)

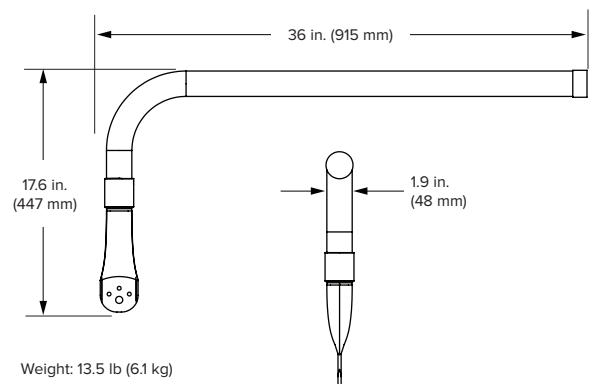
## Pedestal Mount / Low Rider



Weight: 44 lb (19.9 kg)

Weight: 39 lb (17.7 kg)

## I-Beam Mount / C-Channel Mount



Weight: 13.5 lb (6.1 kg)



USA  
BIGASSFANS.COM  
877-244-3267

CANADA  
BIGASSFANS.COM  
844-924-4277

AUSTRALIA  
BIGASSFANS.COM/AU  
1300 244 277

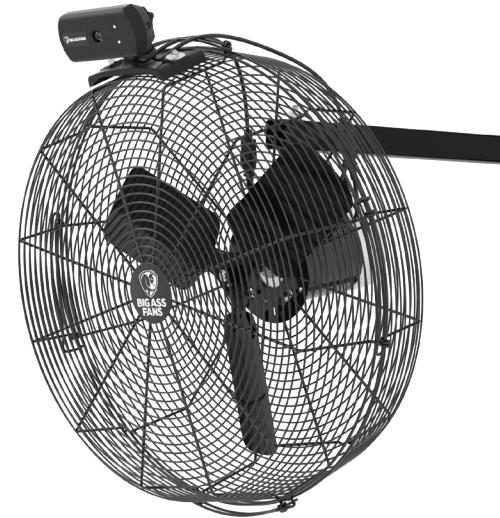
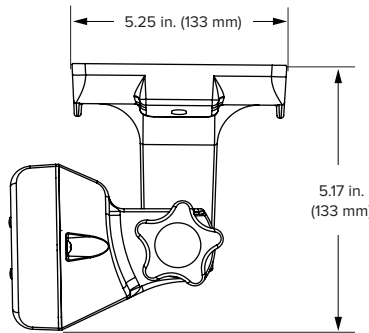
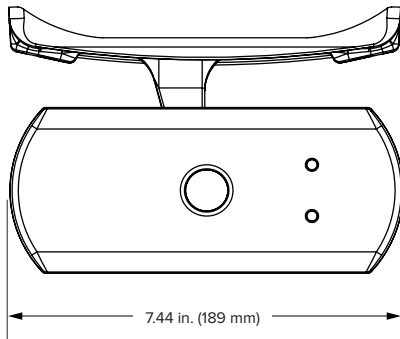
SINGAPORE  
BIGASSFANS.COM/SG  
65 6709 8500

# AIREYE OCCUPANCY SENSOR

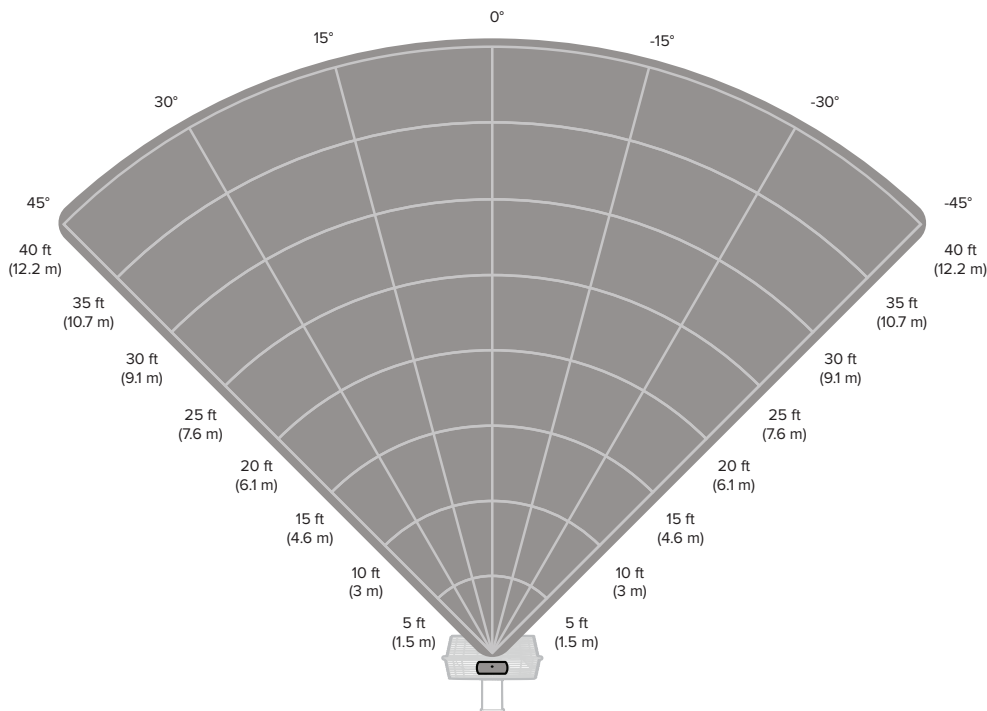
EASY TO MOVE, SIMPLE TO CONTROL, AND A BREEZE TO ENJOY.



With an effective range of up to 40 ft (12.2 m) within a 90-degree radius, the AirEye Occupancy Sensor automatically turns the fan on to a set speed when it detects infrared motion. Its adjustable lock knob allows users to aim the sensor where airflow is needed most, and two status LEDs display AirEye's power and motion-detection activity. The fan will shut off five minutes after occupants leave the area.



## Sensor Coverage



USA  
BIGASSFANS.COM  
877-244-3267

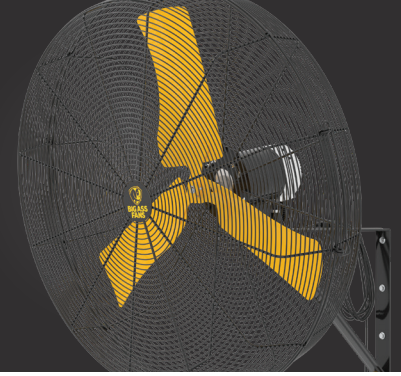
CANADA  
BIGASSFANS.COM  
844-924-4277

AUSTRALIA  
BIGASSFANS.COM/AU  
1300 244 277

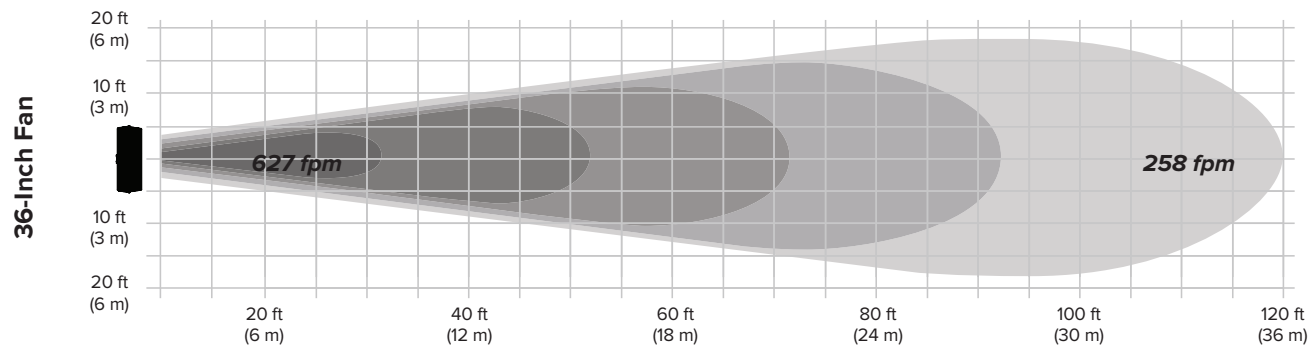
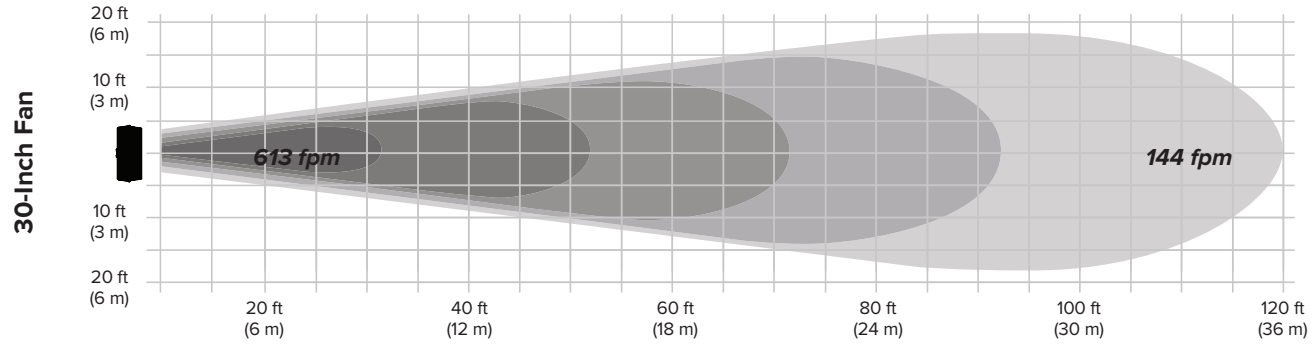
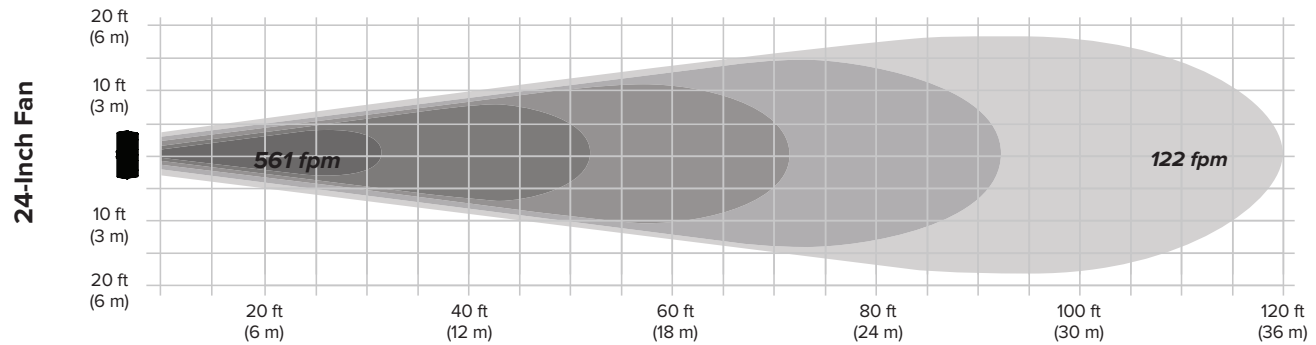
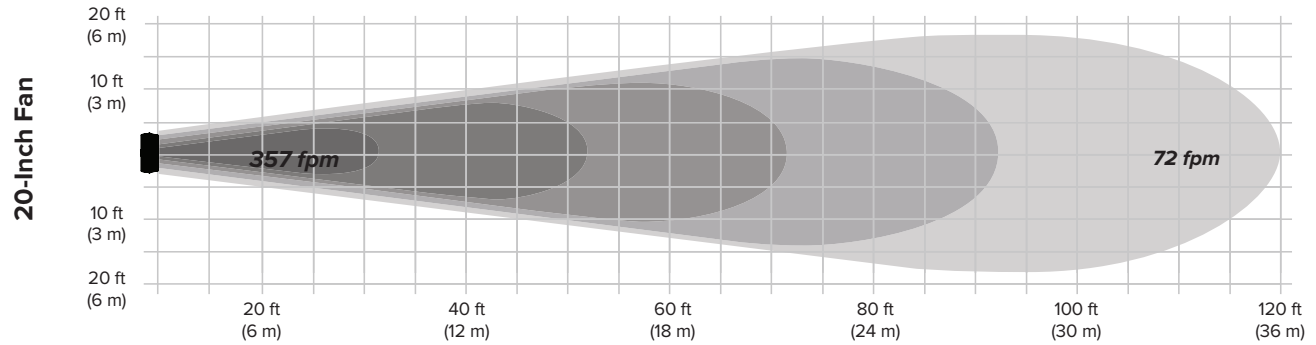
SINGAPORE  
BIGASSFANS.COM/SG  
65 6709 8500

# AIREYE

## AIRFLOW SPECIFICATIONS



Shaded areas represent cooling up to 120 feet (36.6 meters). That's one-third the length of a football field! Darker shading indicates faster air velocity.



USA  
BIGASSFANS.COM  
877-244-3267

CANADA  
BIGASSFANS.COM  
844-924-4277

AUSTRALIA  
BIGASSFANS.COM/AU  
1300 244 277

SINGAPORE  
BIGASSFANS.COM/SG  
65 6709 8500