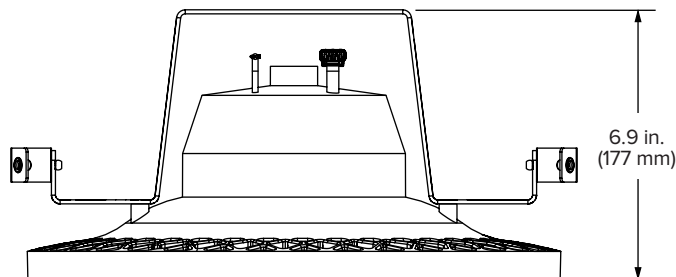
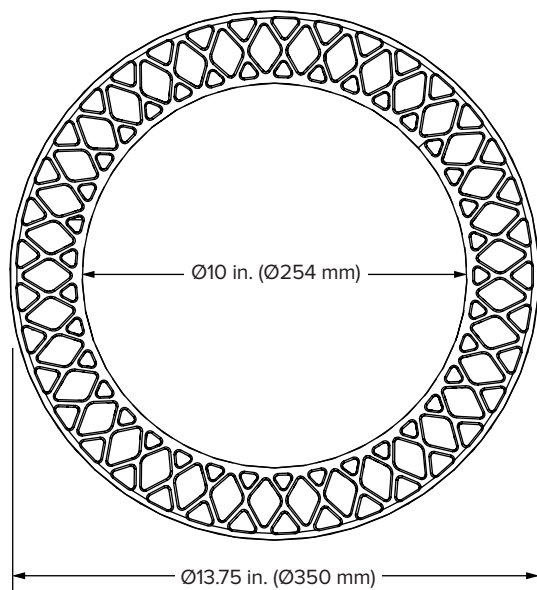
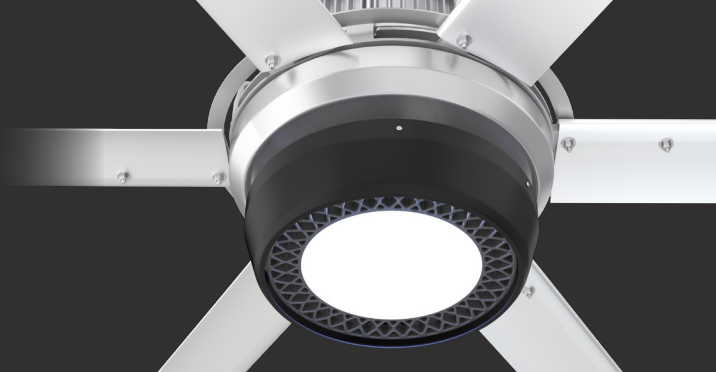


POWERFOIL[®] LED

PUT IT WHERE THE SUN DON'T SHINE



Construction Features

Compatible Fans	Controls	Installation	Material	Beam Angle	Luminous Flux	Lifetime	Weight	Colors	Certifications and Environment
Powerfoil X4 Powerfoil D Powerfoil Breeze	BAFCon 0–10 V	Seamlessly integrates into existing building lighting grids	Aluminum alloy	120°	135 lm/W	50,000 hours	20.2 lb (9.2 kg)	Black White	IP65 DLC-qualified Suitable for wet locations

Technical Specifications

Model	Color Temperature	Output	Wattage	Efficacy	Voltage	CRI
009769	5000 K	Up to 20,780 lm	150 W	130 lm/W	100–277 VAC	80
	4000 K	Up to 20,780 lm	150 W	160 lm/W	100–277 VAC	70



Black



White



¹ White available with Powerfoil Breeze fans only.

Lead times may vary. See full warranty for coverage information.



USA
BIGASSFANS.COM
877-244-3267

CANADA
BIGASSFANS.COM
844-924-4277

AUSTRALIA
BIGASSFANS.COM/AU
1300 244 277

SINGAPORE
BIGASSFANS.COM/SG
65 6709 8500