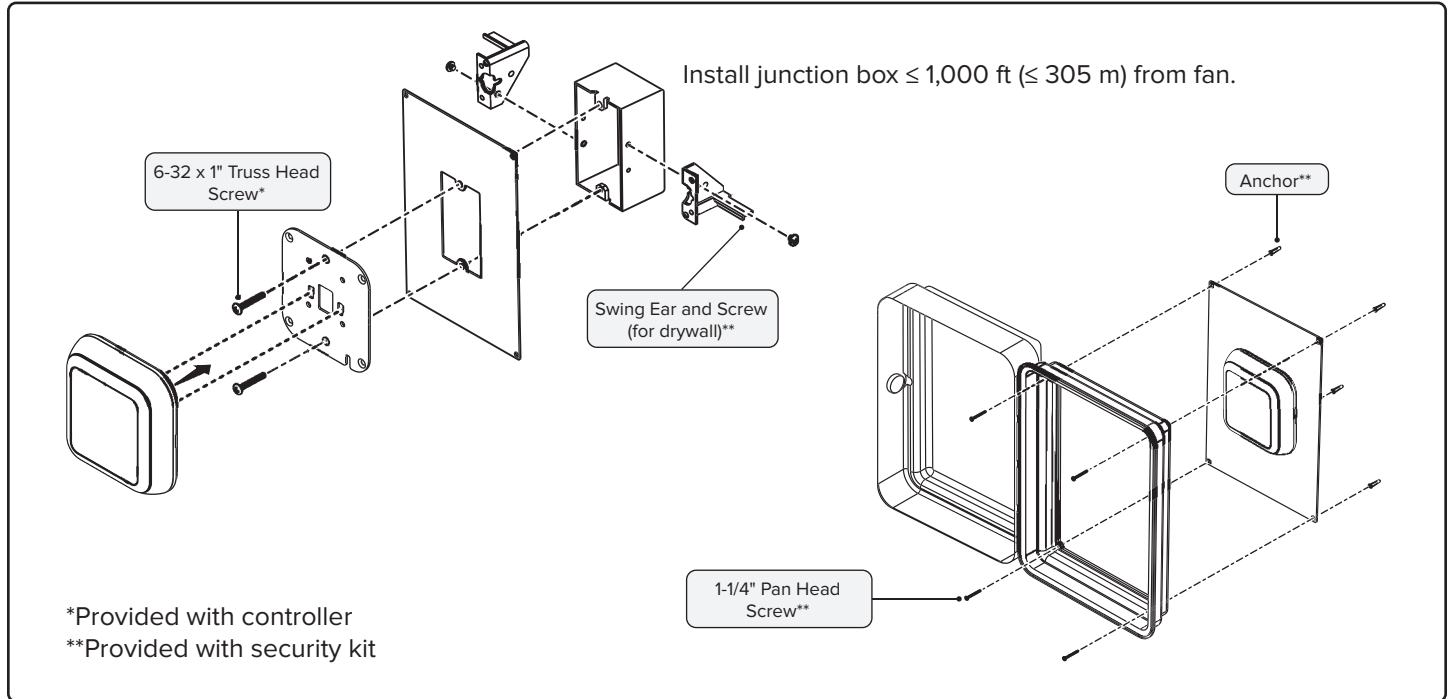


SECURITY KIT INSTALLATION

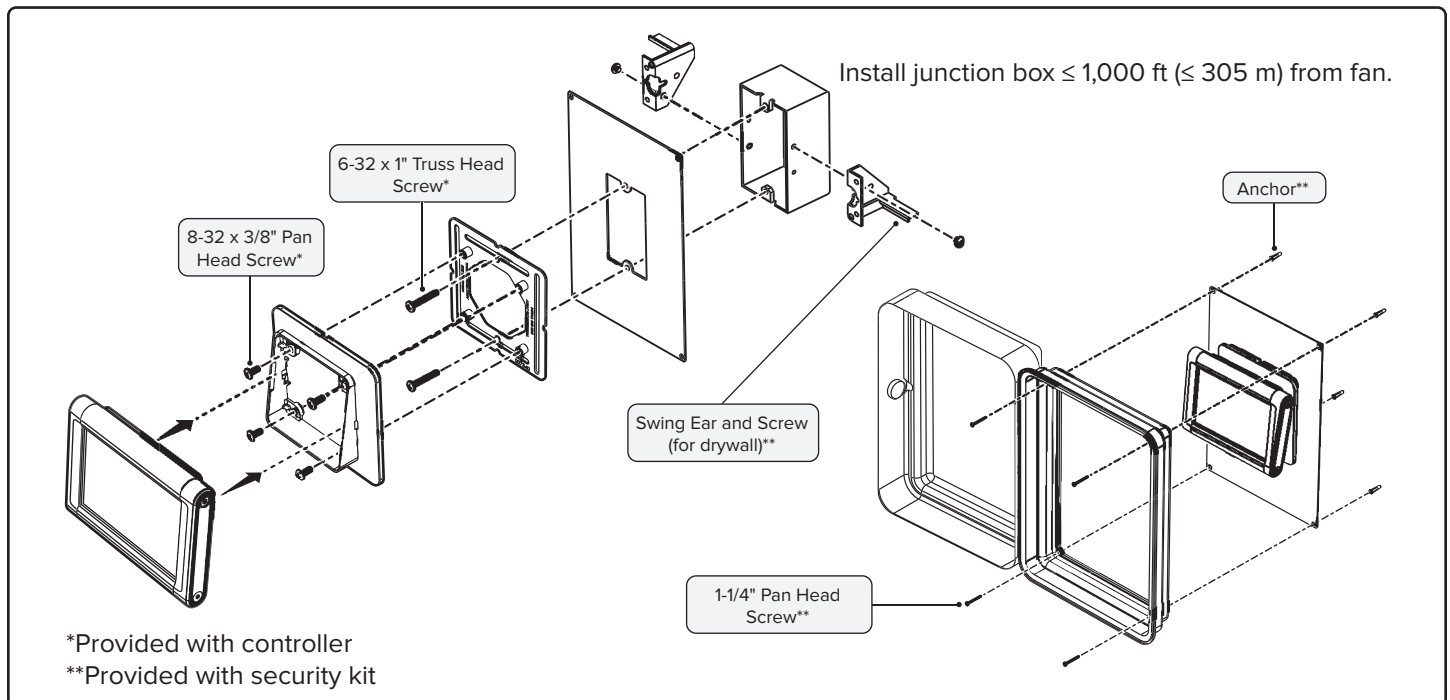


- ⚠ WARNING:** Disconnect power to the installation locations before installing the fan and controller!
- ⚠ WARNING:** Installation work and electrical wiring must be done by qualified person(s) in accordance with all applicable codes and standards, including fire-rated construction. Incorrect assembly can cause electric shock or damage the motor and the controller.
- ⚠ WARNING:** Installation must be in accordance with the requirements set forth by the National Electrical Code (NEC), ANSI/NFPA 70, and all national and local codes.

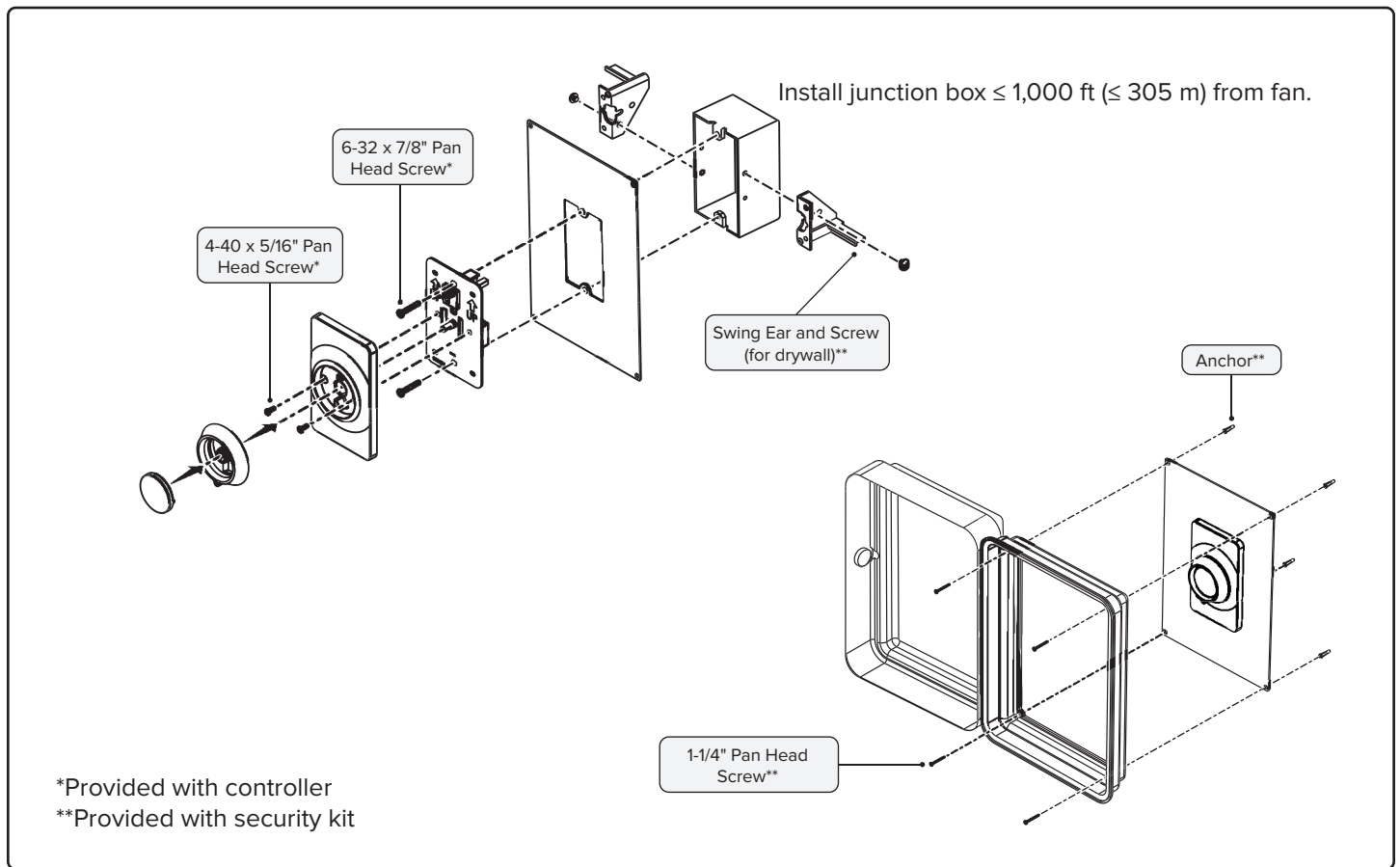
STANDARD CONTROLLER



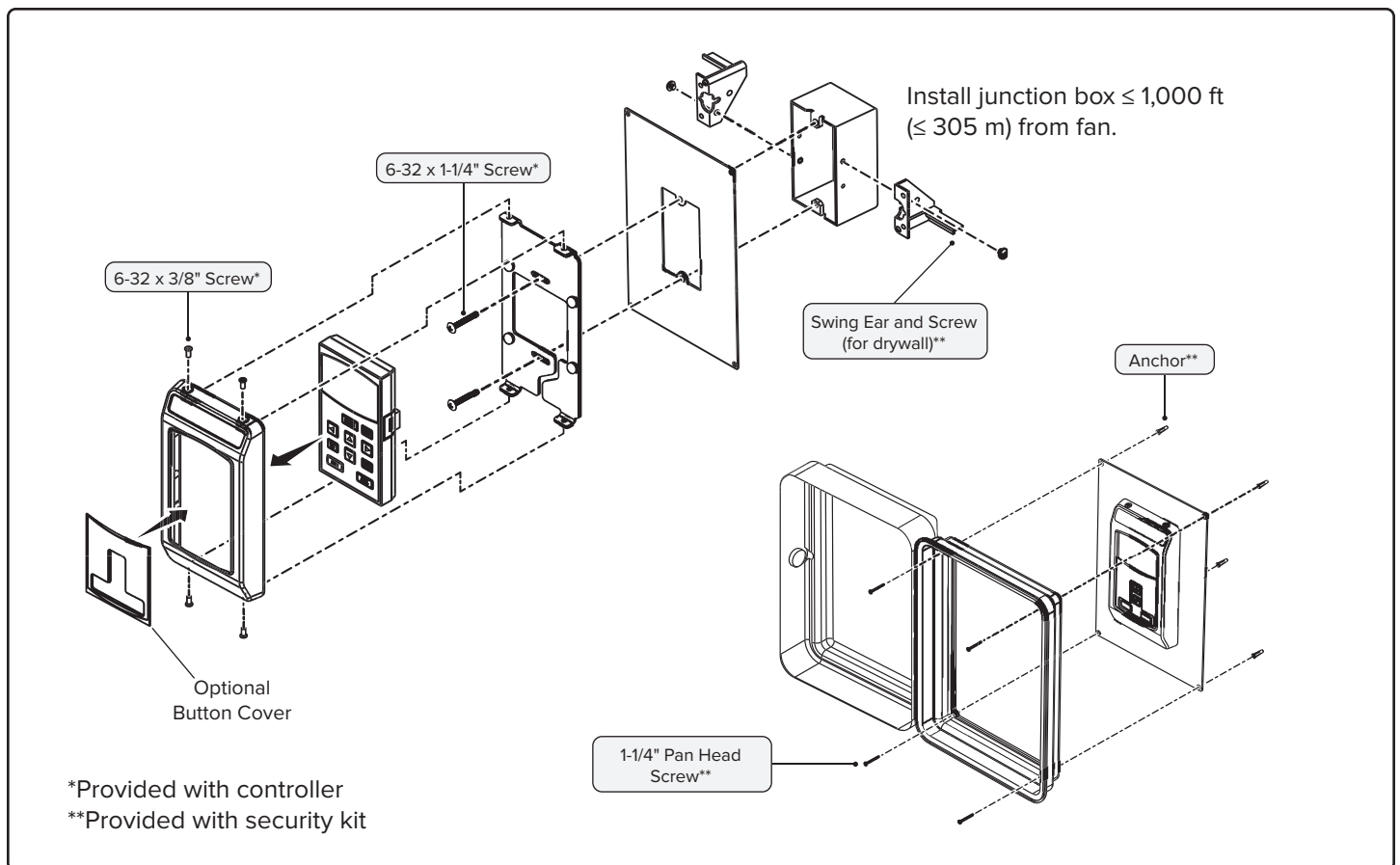
BAFCON CONTROLLER



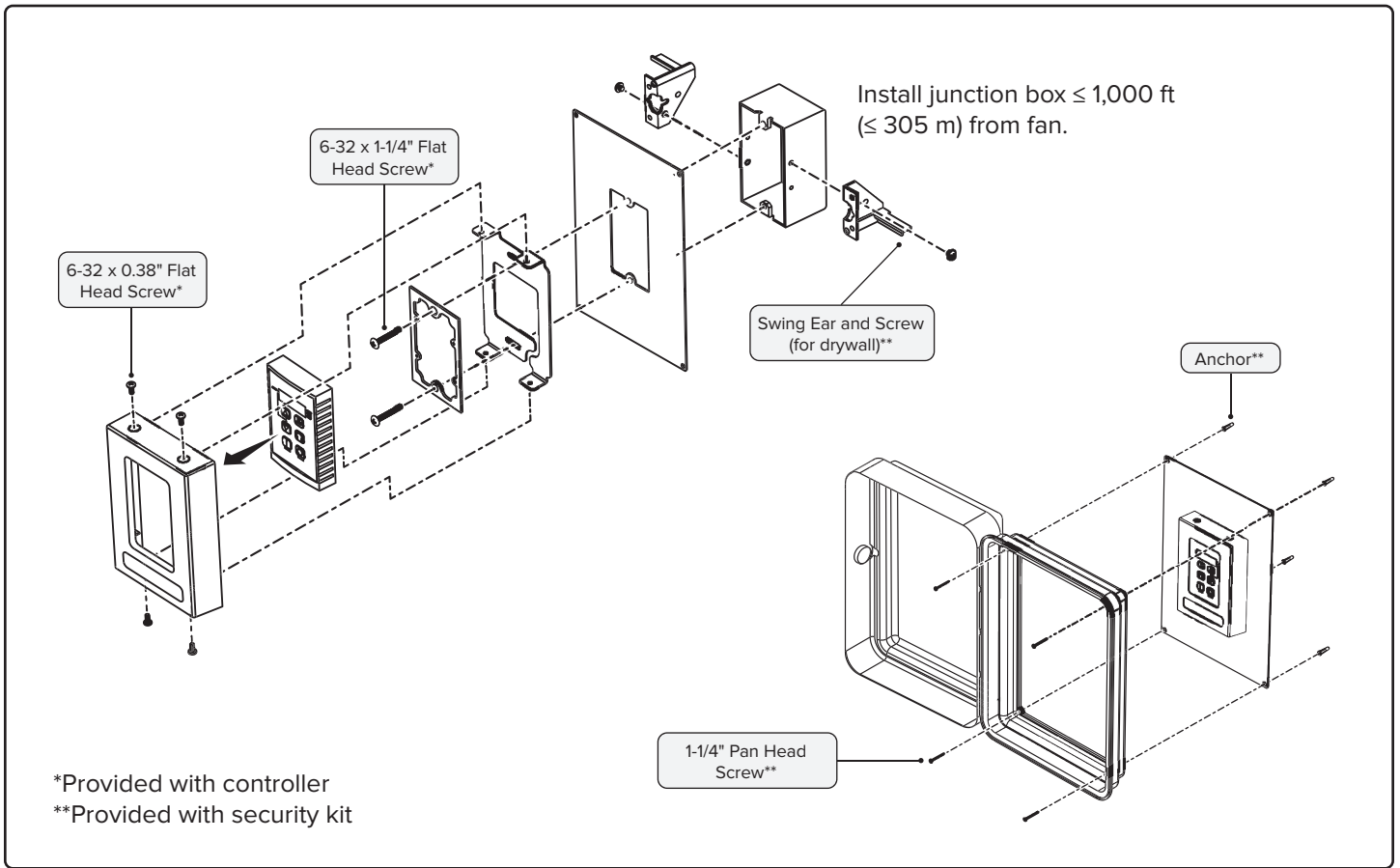
ESSENCE® WALL CONTROLLER



POWERFOIL® X SERIES KEYPAD CONTROLLER



POWERFOIL® 8 & BASIC 6® KEYPAD CONTROLLER





bigfans.com/support

