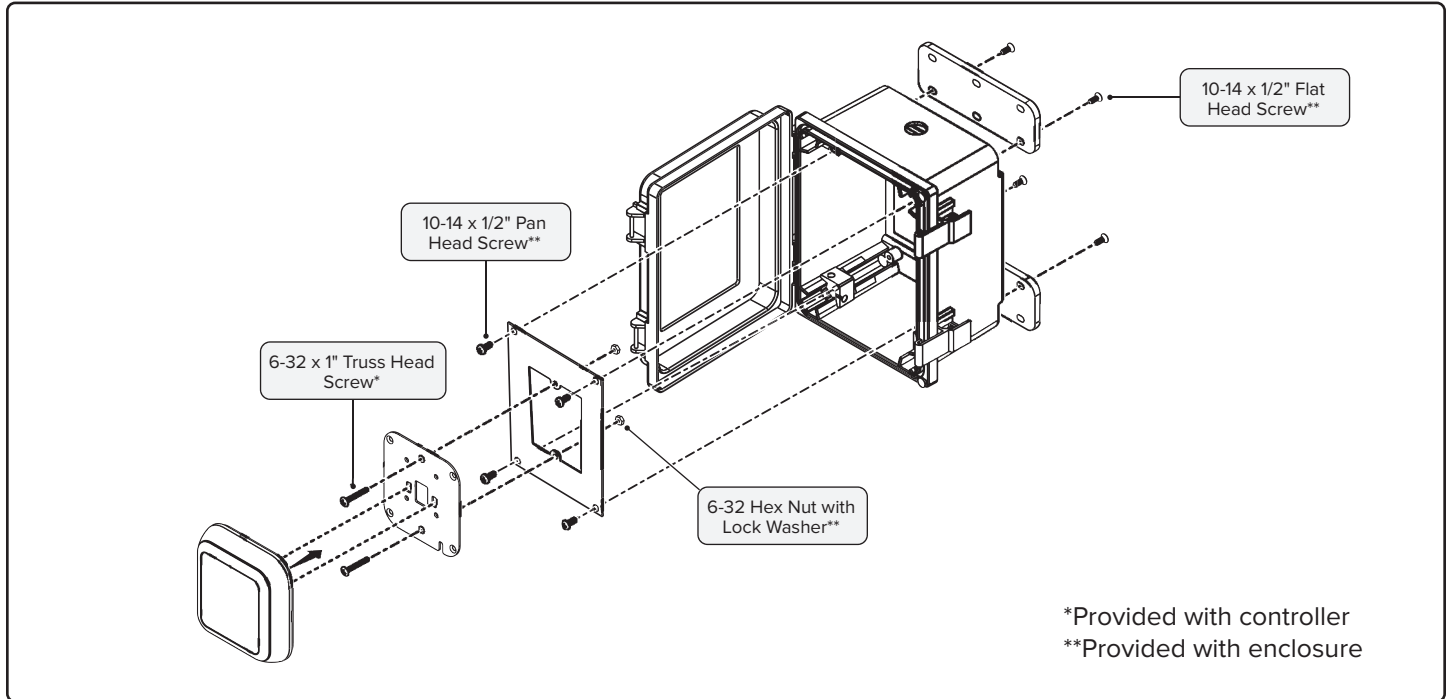


NEMA 4X ENCLOSURE

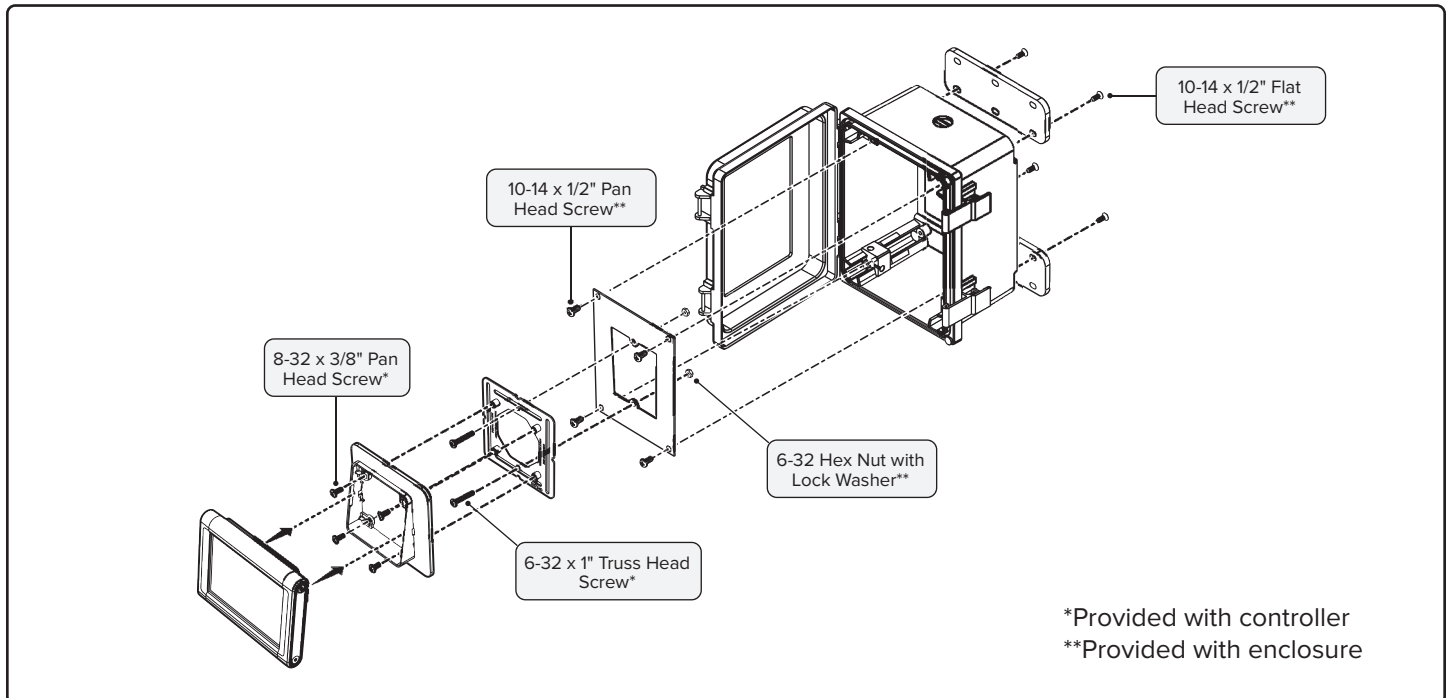


- ⚠ WARNING:** Disconnect power to the installation locations before installing the fan and controller!
- ⚠ WARNING:** Installation work and electrical wiring must be done by qualified person(s) in accordance with all applicable codes and standards, including fire-rated construction. Incorrect assembly can cause electric shock or damage the motor and the controller.
- ⚠ WARNING:** Installation must be in accordance with the requirements set forth by the National Electrical Code (NEC), ANSI/NFPA 70, and all national and local codes.

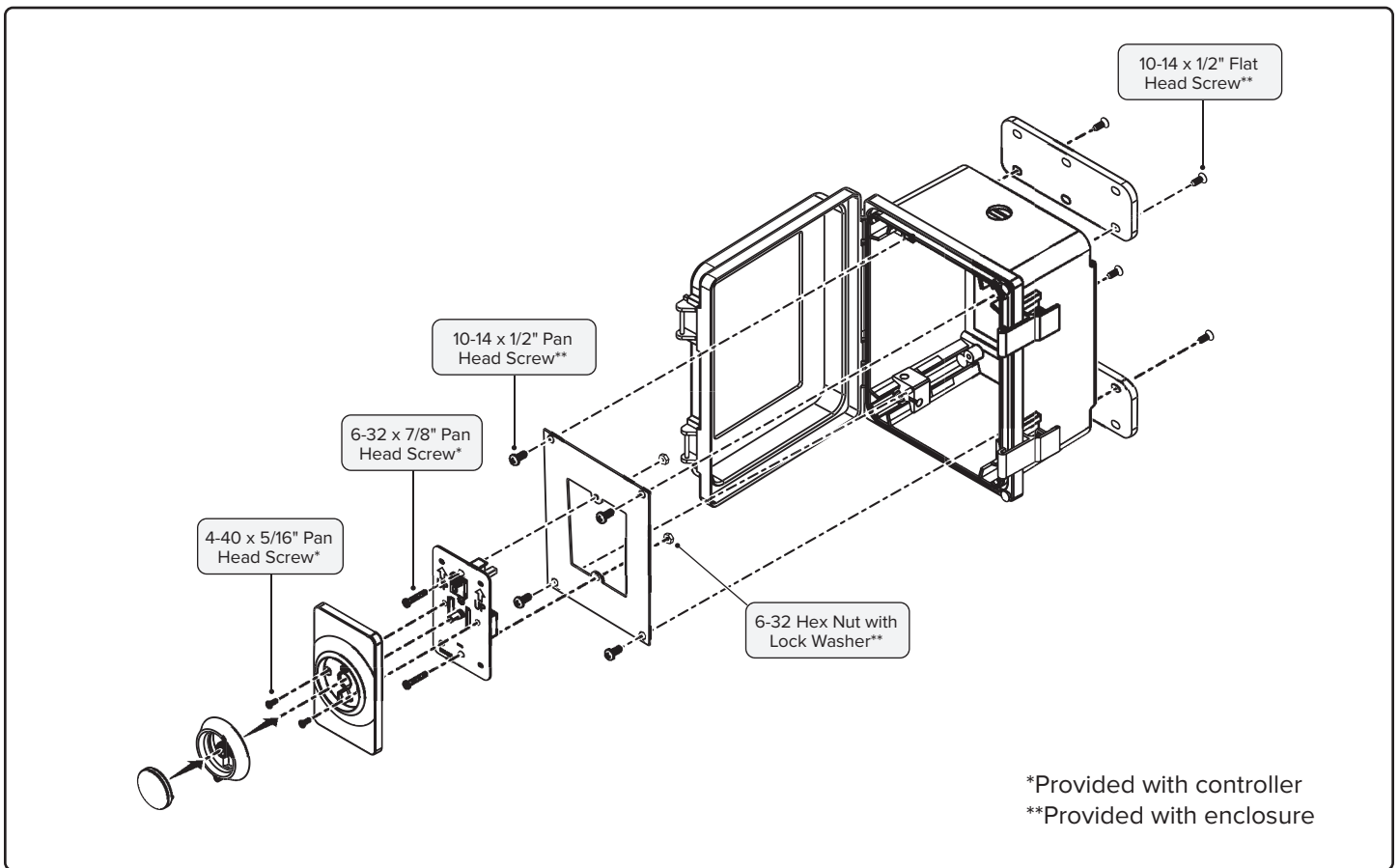
STANDARD CONTROLLER



BAFCON CONTROLLER

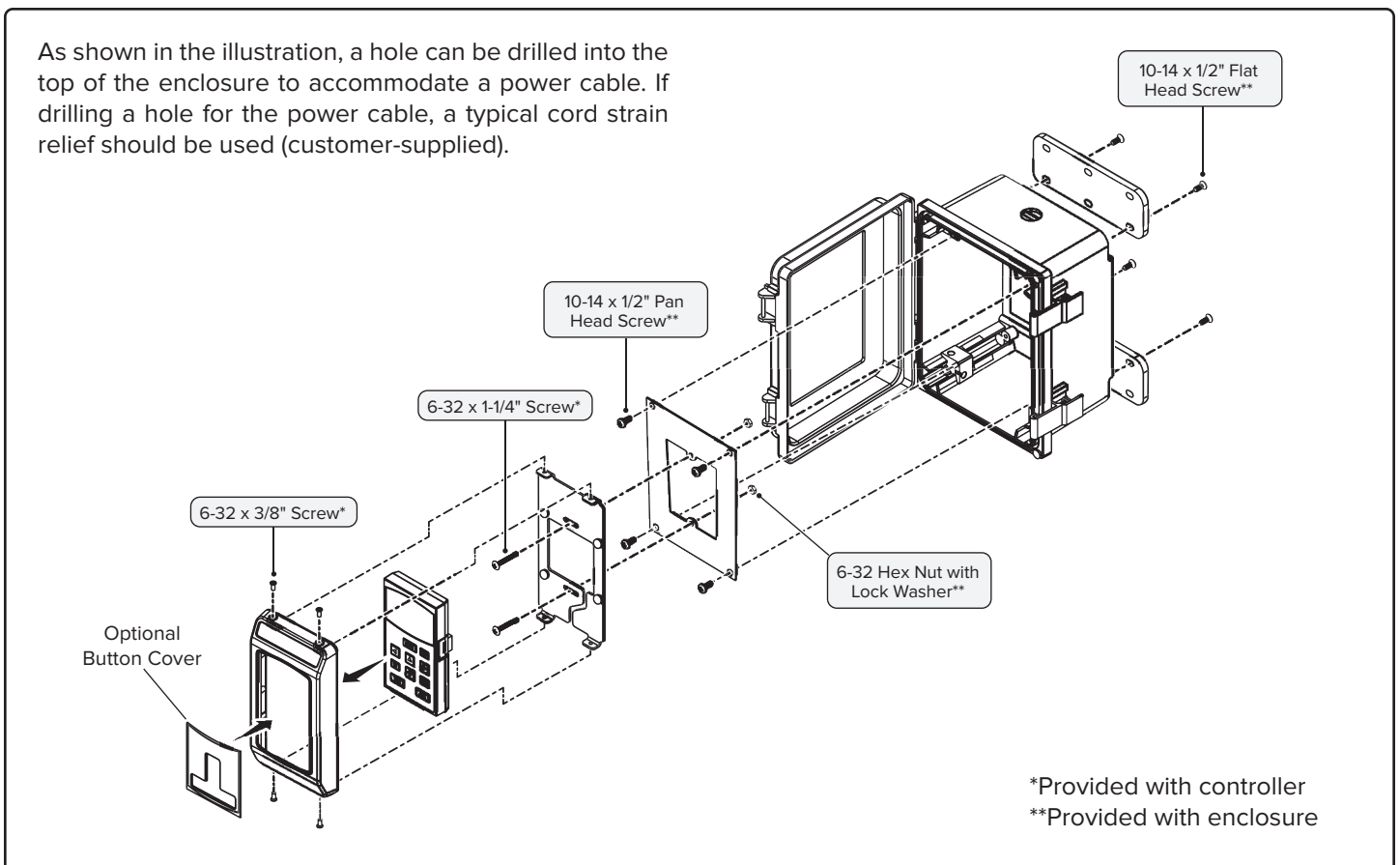


ESSENCE® WALL CONTROLLER

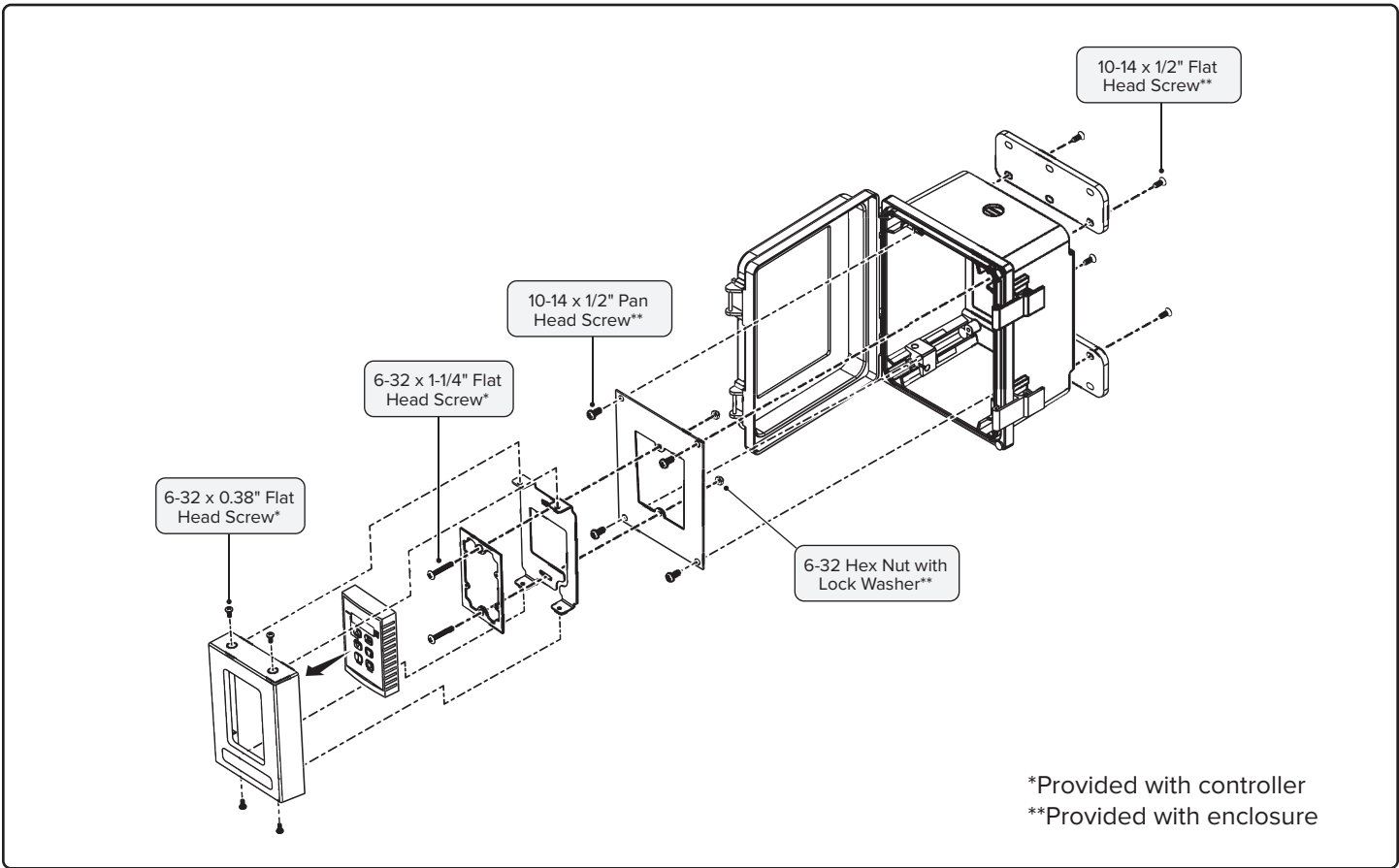


POWERFOIL® X SERIES KEYPAD CONTROLLER

As shown in the illustration, a hole can be drilled into the top of the enclosure to accommodate a power cable. If drilling a hole for the power cable, a typical cord strain relief should be used (customer-supplied).



POWERFOIL® 8 & BASIC 6® KEYPAD CONTROLLER





bigfans.com/support



004675 REV F 07/12/2021

© 2019 DELTA T LLC ALL RIGHTS RESERVED.